

THERMODYNAMICS

CARNOT CYCLE

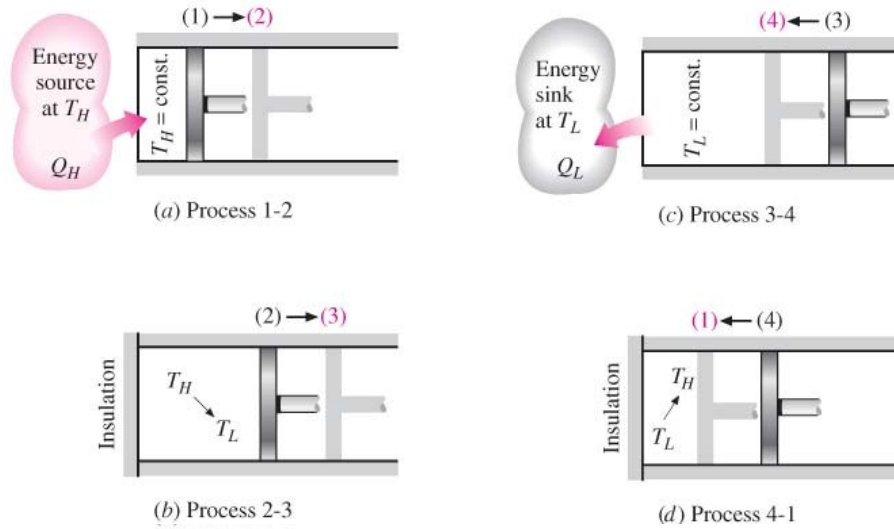


FIGURE 6-37

Execution of the Carnot cycle in a closed system.

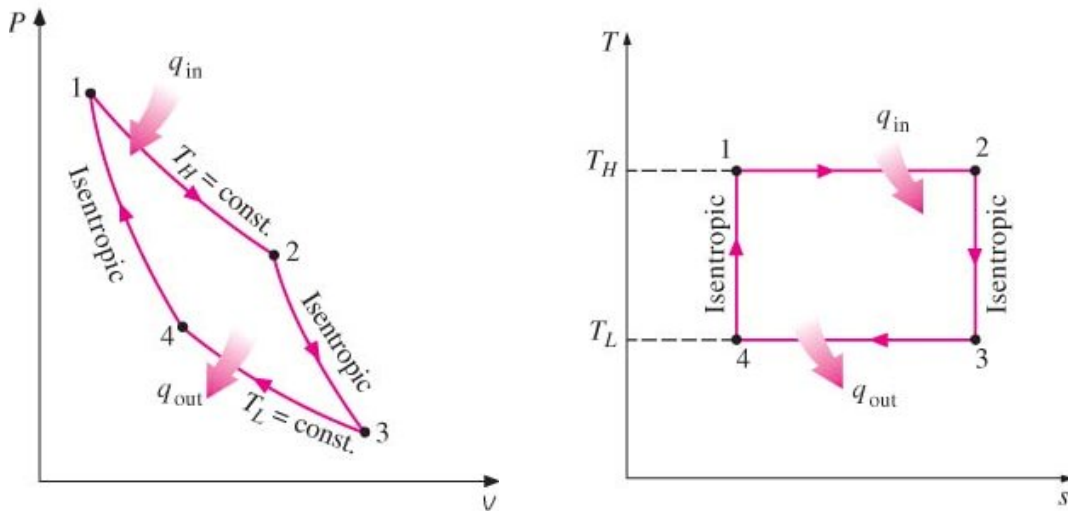


FIGURE 9-6

P - v and T - s diagrams of a Carnot cycle.

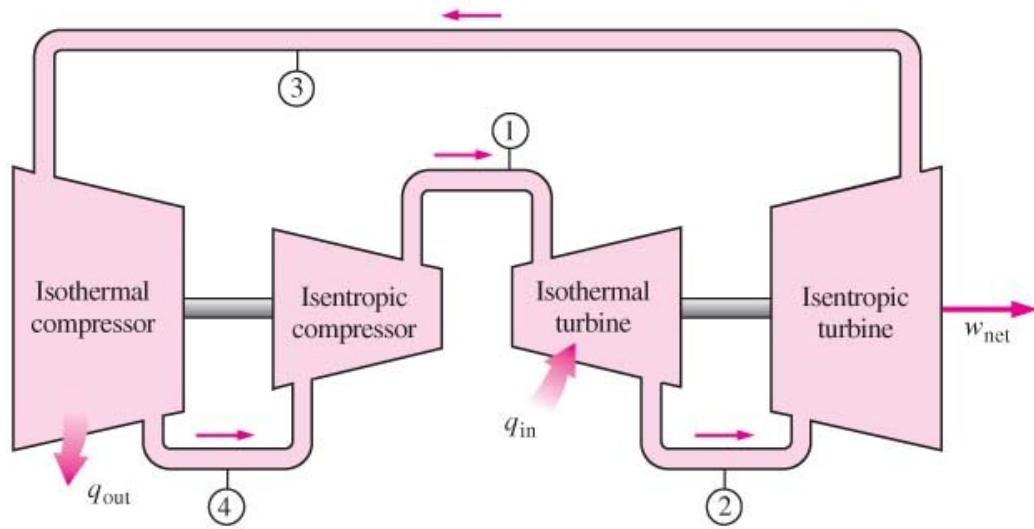


FIGURE 9-7
A steady-flow Carnot engine.